

LED PAR38 Lamp PR4XBA



Features

1. Similar to conventional-shape 120W halogen PAR38.
2. Wide beam angle: 120 degree.
3. IP65 rated.
4. Conforms to ANSI standards for PAR38 lamp envelopes.
5. Retrofit and compatible with most existing fixtures with E26/E27 holder for easy installation.
6. 18 Watt LED PAR38 lamp can achieve directional light output equal to 120 Watt halogen PAR38 consume 85% less power.
7. Green and environmental protection, no pollution.

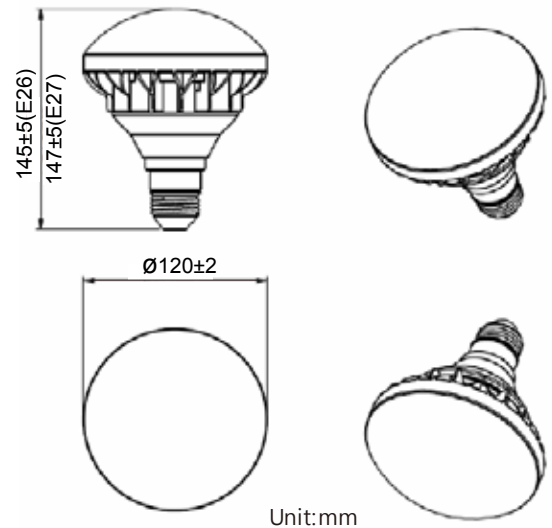
產品特色

1. 相似傳統型120W鹵素PAR燈。
2. 寬角度發光：120度。
3. 符合IP65防水防塵等級。
4. 燈殼符合ANSI標準。
5. 安裝容易，可兼容大部份E26與E27的接頭。
6. 18瓦特的PAR38射燈的亮度等於120瓦特的鹵素燈泡，節省85%的電力。
7. 綠色環保，無污染。



Specification

Model	PR4xBA-C18Cxx/65	PR4xBA-C18Cxx/50	PR4xBA-N18Cxx
Voltage Range	100~240 Vac	100~240 Vac	100~240 Vac
Frequency Range	50/60 HZ	50/60 HZ	50/60 HZ
Power Consumption	18W (typ.)	18W (typ.)	18W (typ.)
Power Factor	0.9 (min.)	0.9 (min.)	0.9 (min.)
Emitting Color	Cool White	Warm White	Neutral White
Color Temperature	6500K (typ.)	5000K (typ.)	4000K (typ.)
Luminous Flux	1800 Lm (typ.)	1800 Lm (typ.)	1600 Lm (typ.)
Color Rendering Index	80 (min.)	80 (min.)	80 (min.)
LED Lifetime (Decay to 70%)	40,000hrs (min.)	40,000hrs (min.)	40,000hrs (min.)
Illuminance at 1m	492 Lux (typ.)	492 Lux (typ.)	460Lux (typ.)
Field Angle (10%)	120°	120°	120°
Body Material	Aluminum	Aluminum	Aluminum
Operating Temperature	-20°C~+40°C	-20°C~+40°C	-20°C~+40°C
Operating Humidity	20~80% RH	20~80% RH	20~80% RH
Storage Temp. & Humidity	-30°C~+80°C 10~95% RH	-30°C~+80°C 10~95% RH	-30°C~+80°C 10~95% RH
Safety Standards	CE	CE	CE
Weight	390g	390g	390g
Ingress Protection	IP65	IP65	IP65



Ecolighting Co., Ltd.

Address: No.186-B1, Jian1st Rd., Zhonghe Dist., New Taipei City 235, Taiwan (R.O.C.)

E-mail: sale@ecolighting.com.tw

TEL: 886-2-8228-0566 Fax: 886-2-8228-0577

ecolighting®