

DL82D-x23A 8" 23W LED Light

ecolighting*



產品特色:

1. 超薄輕盈的產品外觀設計
2. 專業技術的白光高品質LED
3. 高效率的光源品質無眩光
4. 容易安裝保養容易
5. 節能環保,無UV紫外線
6. 優異的熱傳導技術,提供LED高壽命的使用

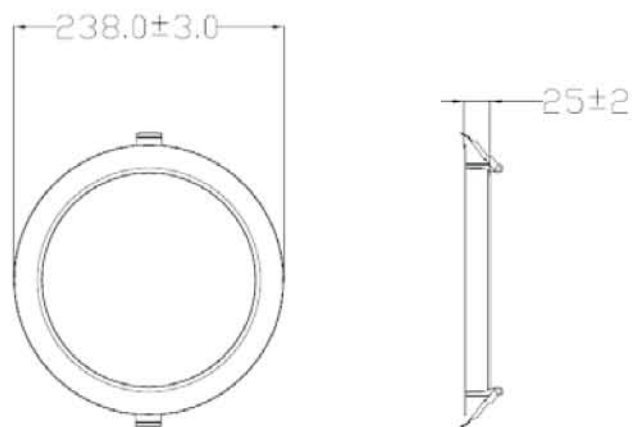
Features

1. Non-cumbersome and ultra-thin frame.
2. Wide beam angle: 110 degree
3. LED proprietary technology delivers uniform, high-quality, white light.
4. Easy installation and maintenance free.
5. Energy saving, Low cost and UV-stop.
6. Excellent thermal dissipation proves long LED lifetime.



Specification

Model	DL82D-C23A	DL82D-W23A
Input Voltage	100~240Vac	100~240Vac
Frequency Range	50/60 HZ	50/60 HZ
Power Consumption	23W (typ.)	23W (typ.)
Emitting Color	Cool White	Warm White
Color Temperature	6000K (typ.)	3000K (typ.)
Luminous Flux	1750 Lm (typ.)	1500 Lm (typ.)
Color Rendering Index	>70	>80
Lifetime	40,000hrs	40,000hrs
Illuminance at 1m	596 Lux (typ.)	510 Lux (typ.)
Beam Angle	110°	110°
Operating Temperature	-20°C~+40°C	-20°C~+40°C
Operating Humidity	20~80% RH	20~80% RH
Storage Temp. & Humidity	-30°C~+60°C 10~90% RH	-30°C~+60°C 10~90% RH
Dimensions	238 x 25 mm (D x H)	238 x 25 mm (D x H)
Fixed Material	Aluminum	Aluminum
Authenticate	CE	CE
Weight	320g	320g



Unit: mm

Note :

1. Lens : Optical diffuser
2. Product Weight (Without Driver): 320 g
3. Cut-out size: $\Phi 215\sim\Phi 220\text{mm}$