

ED-T0614TDLF-01

6 Channels Triac Dimmer
Controller System

ecolighting*



產品特色:

1. 全電壓輸入100~240Vac
2. 每組最大4安培電流量,總電流以12安培為限
3. 6組調光系統可提供使用
4. 容易安裝保養容易
5. 搭配紅外線遙控器
6. 細膩的調光效果

Features

1. Universal AC input 100~240Vac.
2. 12A max current capacity with 4A max. per channel.
3. 6 lighting scene per controller.
4. Easy to install
5. Equipped with IR remote controller
6. Fine dimming effect.



綠明科技股份有限公司

地址：新北市新店區寶興路 45 巷 1 號 2 樓

E-mail: sale@ecolighting.com.tw

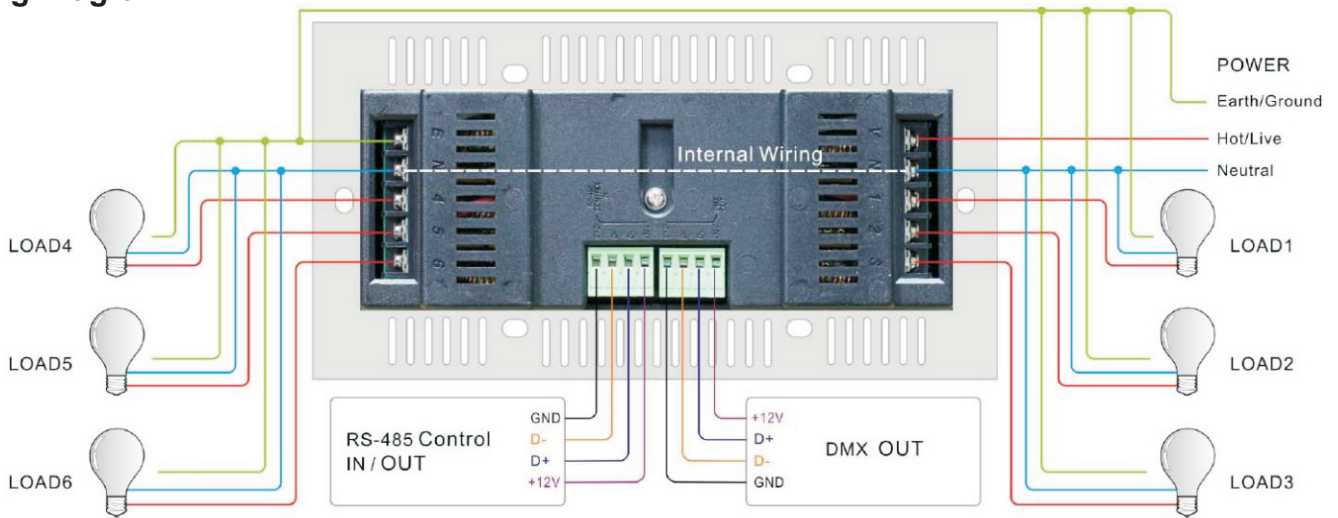
電話：886-2-2912-0606 傳真：886-2-2912-0707

ecolighting*

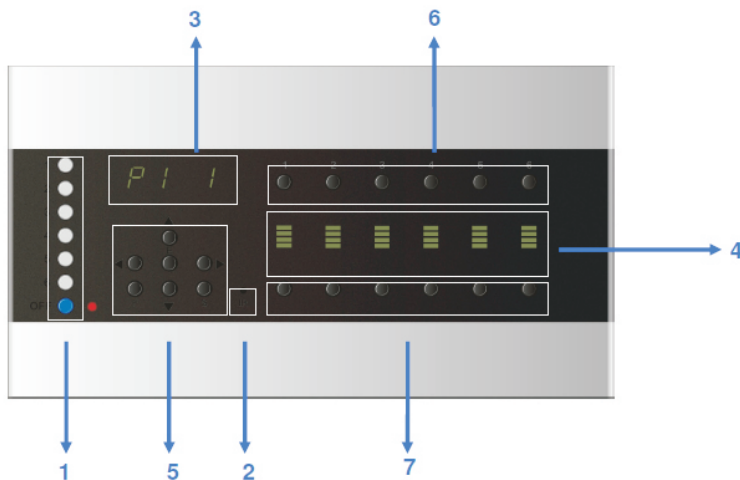
Specification

Model	ED-T0614TDLF-01		
Items	minimum	nominal	maximum
Input Voltage	90Vac	100~240Vac	264Vac
Frequency Range	47 HZ	50/60 HZ	63 HZ
Input Current 90Vac, Resistive Load (A)	-	-	12
Input Current per Channel 90Vac, Resistive Load (A)	-	-	4
Operating Temperature	-20°C	-	35°C
Operating Humidity	40	-	80
Protocol	RS-485/DMX-512		
Dimensions	212 x 114 x 8 mm (L x H x D)		
Weight	860g		

Wiring Diagram



Panel Specification



1. Scene buttons
2. IR receiver
3. Function LED display
4. Channel dimming value display or other function meaning
5. Function button
6. CH1~CH12 dimming value UP
7. CH1~CH12 dimming value DOWN